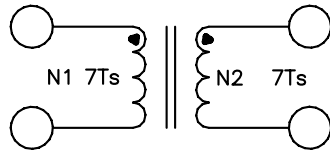


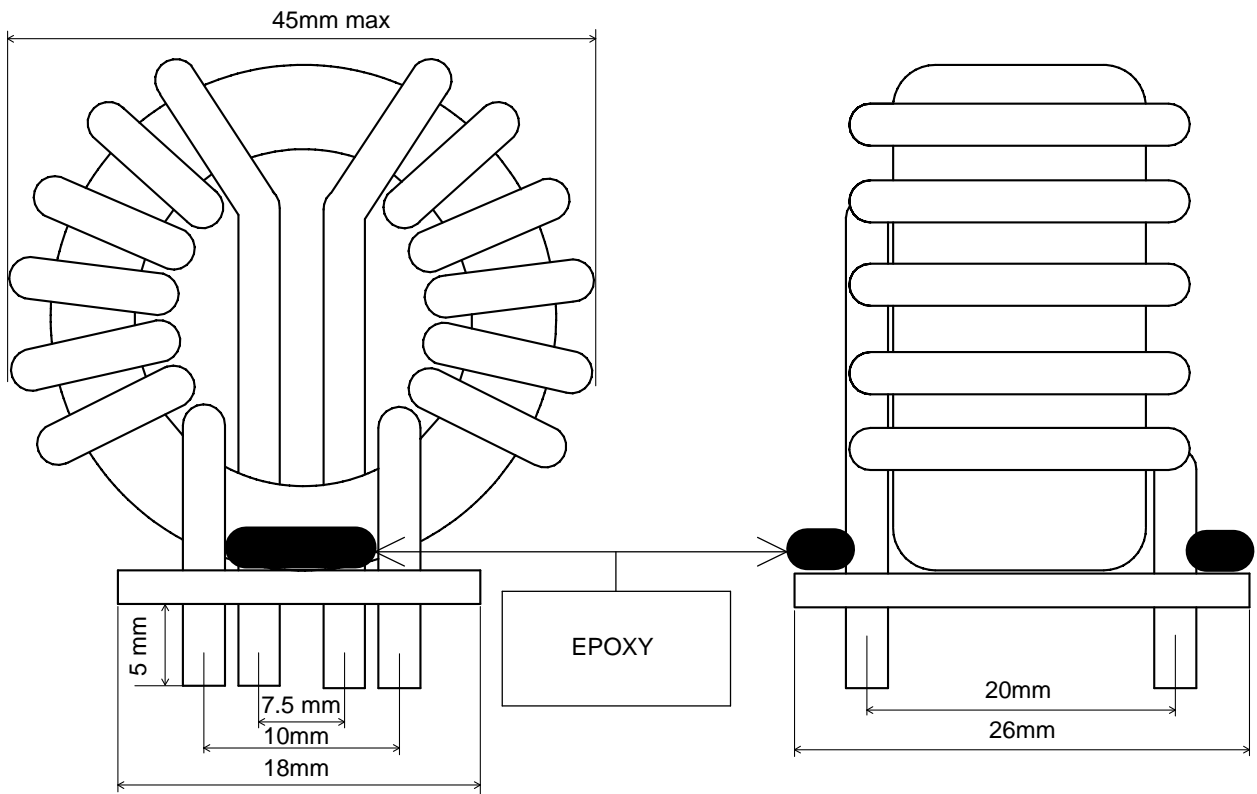
# Construction PSA2000-Lcom0ut

## 1. Schematic



WIRE	TURNS
$\varnothing$ 2.6mm	7Ts

## 2. Configuration dimension



# 3. MATERIAL LIST

## 3.1. Core

R36 EPCOS B64290-L674-X38

## 3.2. WIRE

1PEW / 155 C

Pacific Electric Wire & Cable CO.,LTD  
UL NO. 84081

## 3.4. VARNISH

Varnish V-1630FS

Underwood indastris of NEW YORK INC  
UL NO.E60614

## 3.5. EPOXY

9001A / 9000B

Shaw Huow Enterprise CO., LTD  
UL NO.105888

# 4. ELECTRICAL SPECIFICATION

INDUCTANCE 500uH.

D.C. RESISTENCE 1.3 mOm max.